

# Technical Datasheet



## Sentry Series - Flameproof Pressure Switch

Models: HP01, HP02 & HP03

### Key Features

- SPDT & DPDT Switch Outputs
- Aluminium Epoxy Coated Weatherproof Enclosure IP66/NEMA4X
- ATEX / IECEx Flameproof
- 316 Stainless Steel Wetted Parts as Standard.
- Field Adjustable Set-points Against a Reference Scale
- Pressure Ranges up to 700bar (10,000psi)
- Maximum Working Pressure up to 1000bar (15,000psi)
- Safety Vented Design as Standard
- Suitable for use SIL 2 safety related systems

### Series Overview

The Sentry Series offers exceptional performance and high build quality in a simple, safe and cost-effective package.

- Performance is assured by repackaging Delta's well proven sensor technologies in a new, simple, one-piece enclosure.
- Safety is maintained by a vent that prevents the enclosure becoming pressurized in the event of a sensor being damaged.
- Cost is minimised through the selection of common standard options although, as with all Delta products, a variety of optional extras are available to tailor the product to specific needs.

Other products in the series include:

- Differential Pressure Switches: Model D0
- Temperature Switches: Model T0



### Product applications

The Sentry Series is suitable for a wide range of applications in:

- Process plants
- OEM equipment

The choice of models available ensures that the Sentry Series is suitable for use in:

- Zone 1 & 21 Hazardous Areas
- SIL 2 safety related systems

### How can we help you?

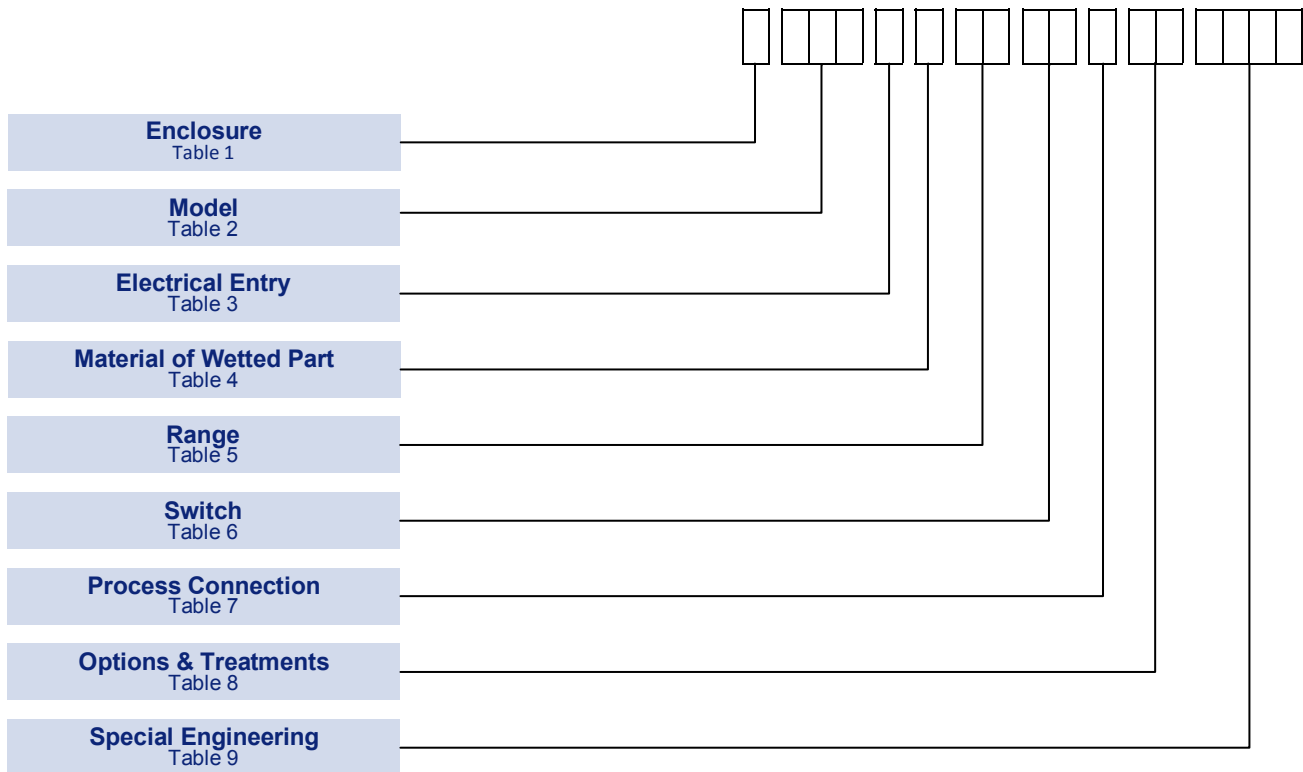
Delta Controls' offers fast, efficient and knowledgeable support when and where you need it. Please visit our web site at [www.delta-controls.com](http://www.delta-controls.com) to find your local support centre or call us on:

+44 (0)1252 729 140

**Sentry Series - Flameproof**  
Models: HP01, HP02 & HP03

## How to order

Switches can be configured by selecting codes representing the desired features from the tables that follow. The chart below, describes how the model code is built up. For assistance in configuring a switch that best suits your needs, please contact your local sales office.



**NOTE:** Options shaded in the following tables are the most common options and are available on the quickest lead-times and at the lowest cost.

**NOTE:** Only the most common options are shown in this data sheet. Should you require a feature that is not shown, please contact your local sales office for further details.

## Technical Specification

### Sentry Series - Flameproof

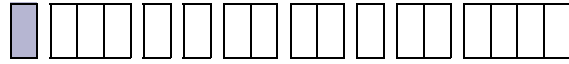
Models: HP01, HP02 & HP03


<b>Accuracy:</b>	Set point repeatability $\pm 1\%$ of span at 20°C / 68°F
<b>Storage Temperature:</b>	-40 to +60°C / -40 to +140°F
<b>Ambient Temperature:</b>	-25 to +60°C / -13 to +140°F
<b>Maximum Process Temperature:</b>	Subject to appropriate installation practice, the component parts withstand up to +60°C (+140°F). For process temperatures up to +120°C (+248°F), order WETTED PARTS Code A or S (Table 4). For higher temperatures, refer to SPECIAL ENGINEERING.
<b>Enclosure classification:</b>	IP66 / NEMA 4X / Flameproof Ex d
<b>Switch output:</b>	SPDT or DPDT snap action microswitch (standard) Hermetically sealed (optional)
<b>Electrical rating:</b>	See Table 6
<b>Process Connection:</b>	¼" NPT F (Standard) Others (optional)
<b>Weight:</b>	1.7kg / 3.7lb to 2.3kg / 5lb depending on model

## Enclosure

All enclosures die-cast in aluminium, epoxy painted, with weather protection not less than NEMA type 4X / IP66

TABLE 1



	Code
<b>Flameproof</b> ATEX / IECEx approved for use in a Zone 1 & Zone 21 hazardous locations   II 2GD Ex d IIC T6 / T5 Ex tb IIIC T85°C / T100°C Gb IP66 T6 / T85°C (Tamb -30°C to +65°C)	H

## Models

### P01

For applications up to 1.5 bar (20 psi), maximum working pressure 15 bar (217 psi).

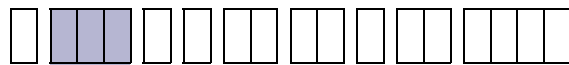
### P02

For applications up to 100 bar (1500 psi), maximum working pressure 155 bar (2250 psi).

### P03

For applications up to 700 bar (10,000 psi), maximum working pressure 1000 bar (15,000 psi).

TABLE 2



		Code
<b>Pressure</b>	Diaphragm Operated <b>Low Overload Pressure</b>	P01
<b>Pressure</b>	Diaphragm Operated <b>Standard Pressure</b>	P02
<b>Pressure</b>	Diaphragm Operated <b>High Overload Pressure</b>	P03

## Electrical Entry

TABLE 3



Description	Code (Single Entry)	Code (Dual Entry)
M20 x 1.5 Internal ISO Thread	0	5
½ NPT Internal Thread	2	4

## Material of Wetted Parts

For reduced risk against leakage under extreme or unusual conditions the diaphragm may be welded directly to the process connection, eliminating the O-ring (Code S).

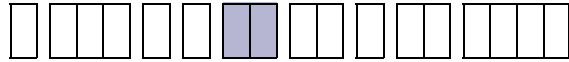
TABLE 4



	Code
316 Stainless steel diaphragm and process connection Viton O-ring seal.	A
316 Stainless steel diaphragm and process connection Nitrile O-ring seal.	G
316 Stainless steel diaphragm and process connection Welded construction	S
Nickel alloy (Monel) diaphragm, 316 stainless steel process connection and Viton O-ring seal. NACE MR 01-75 compliant	K

# Setting Ranges

TABLE 5



$P_{max}$		Model	Range		Psi	in H2O /	Code	Deadband*	
bar	psi		mbar/(bar)	Code				mbar	in H2O / (in)
15	217	P01	12 to 250	CC		5 to 100	CW	9	3.5
			-120 to +120	CD		-50 to 50	CH	8	3.1
			100 to 600	CE	1.5 to 8.5		CK	15	[0.2]
			-1000 to 0	A0		(-30 to 0)	AB	45	(1.3)
			(-1 to +1.5)	G3	-14.5 to 20		GK	48	[0.7]

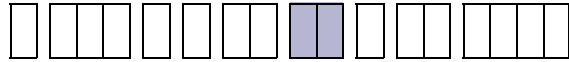
$P_{max}$		Model	Range				Deadband*	
bar	psi		bar	code	psi	Code	mbar	psi
27	400	P02	0.25 to 1.6	DB	4 to 25	DK	140	2.0
			0.4 to 2.5	DC	6 to 40	DP	180	2.6
			1 to 6	DE	16 to 100	DZ	230	3.3
70	1000	P02	1.6 to 10	EA	25 to 160	EH	340	4.9
			2.5 to 16	EB	40 to 250	EM	350	5.0
110	1600	P02	4 to 25	EC	60 to 400	ER	1050	15.2
			10 to 40	ED	160 to 600	EW	1400	20.3
			16 to 75	EF	250 to 1000	EE	1750	25.4
155	2250	P02	10 to 100	FA	160 to 1500	F6	3700	53.7

$P_{max}$		Model	Range				Deadband*	
Bar	psi		Bar	Code	Psi	Code	mbar	psi
350	5075	P03	0.4 to 2.5	DC	6 to 40	DP	400	5.8
			1 to 6	DE	16 to 100	DZ	600	8.7
		P03	1.6 to 10	EA	25 to 160	EH	800	11.6
			2.5 to 16	EB	40 to 250	EM	800	11.6
		P03	4 to 25	EC	60 to 400	ER	1200	17.4
			10 to 40	ED	160 to 600	EW	2200	31.9
			16 to 75	EF	250 to 1000	EE	2500	36.3
1000	15000	P03	10 to 100	FA	160 to 1500	F6	4500	65.3
		P03	7 to 160	U7	100 to 2300	UK	6800	98.6
			25 to 250	V7	350 to 3500	VC	10000	145
			50 to 400	W7	800 to 6000	W9	17600	255
			100 to 700	Y4	1600 to 10000	YF	20000	290

\* Deadband figures are typical for Code 10 SPDT 15A microswitches (see Table 6) and non-welded wetted parts Codes A & G (see Table 4) with falling set-points at mid-scale. Deadbands for other microswitch options may differ. Due to manufacturing tolerances the figures quoted are for guidance only. Should the differential be critical for specific applications, our engineers should be consulted before ordering.

## Switch Options

TABLE 6

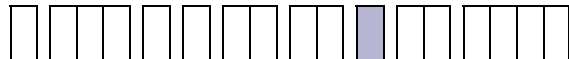


UL/CSA Rating (RESISTIVE) §SEE NOTE	IEC 947-5-1/EN 60947-5-1 RATING							Contact	Code
	Designation & Utilization	Rated operational current le (A) at rated operational voltage Ue	U <sub>i</sub>	U <sub>imp</sub>	VA Rating				
						Make	Break		
5 A @ 110/250V AC Light Duty for AC only	AC14 D300	0.6/0.3A @ 120/240V AC	250V	0.8kV	AC	432	72	SPDT	00
	DC13 R300	0.22/0.1A @ 125/250V DC			DC	28	28	DPDT	01
1 A @ 125V AC & §100 mA @ 30V DC gold alloy contacts for low	1 A @ 125 VAC RESISTIVE (IEC 1058-1/EN 61058-1)							SPDT	04
								DPDT	05
15 Amp @ 125/250/ 480 V AC & 2 A @ 30V DC General purpose precision	AC14 D300	0.6/0.3A @ 120/240V AC	250V	0.8kV	AC	432	72	SPDT	10
	DC13 R300	0.22/0.1A @ 125/250V DC	250V	0.8kV	DC	28	28	DPDT	11
5 Amps @ 110/250V AC Adjustable for AC only	AC14 D300	0.6/0.3A @ 120/240V AC	250V	0.8kV	AC	432	72	SPDT	1C
5 Amps @ 110/250V AC & 2 Amps @ 30V DC	AC14 D300 DC13 R300	0.6/0.3A @ 120/240V AC 0.22/0.1A @ 125/250V DC	250V	0.8kV	AC DC	432 28	72 78	DPDT	1D
5 A @ 250V AC and 2 A @ 30V DC Hermetically sealed. Gold plated silver contacts.	AC14 D300	0.6/0.3A @ 120/240V AC	250V	0.5kV	AC	432	72	SPDT	H2 <sup>†</sup>
	DC13 R300	0.22/0.1A @ 125/250V DC			DC	28	28	DPDT	H3 <sup>†</sup> H6 <sup>‡</sup> <sup>^</sup>

† 2 Single pole, double throw, simultaneous falling under pressure  
 ‡ 2 Single pole, double throw, simultaneous rising under pressure  
 ^Terminal Block supplied as standard  
 Note: For Low energy circuits e.g 30V and up to 100mA, we recommend using gold alloy contact switches  
 U<sub>i</sub> = rated insulation voltage: U<sub>imp</sub> = rated impulse to withstand voltage across contacts.  
 In the absence of any verification by UL/CSA the microswitch § manufacturer's rating is stated in **italics and bold**.

## Process Connection

TABLE 7



	Code
¼ NPT F: Direct	F
½ NPT M: Direct	J
½ NPT F: Direct	H

## Options & Treatments

TABLE 8

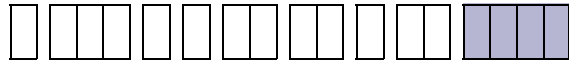


Code left blank if no options or no Special Engineering (Table 9) required.

	Code
Stainless steel permanently fixed tags	20
Stainless steel wired on tag	30
Applies when – no option is required and selection is made from special engineering (see Table 9)	00

## Special Engineering

TABLE 9



Last 4 digits of model code only used when special engineering is required.

	Code
Please consult Delta sales engineering for special requirements	TBA

## Approvals

### EUROPEAN




**Low voltage Directive (LVD) 2006/95/EC.**  
Compliant to LVD

**Pressure Equipment Directive (PED) 97/23/EC:**

This product has a process connection size  $\leq$ DN25 and is therefore categorised as sound engineering practice under Cat 3.3



**ATEX Directive 94/9/EC:**

 II 2GD Ex d IIC T6 / T5  
 Ex tb IIIC T85°C / T100°C Gb IP66  
 T6 / T85°C (Tamb -30°C to +65°C)

Certificate No. Baseefa12ATEX0121  
IEC 60079-0, EN 60079-1, EN 60079-31

### GLOBAL CERTIFICATION



**IECEX Certified**

Ex d IIC T6 Gb  
Ex tb IIIC T85°C Db IP6X  
(-30°C ≤ Ta ≤ +65°C)

Certificate No. IECEX BAS 12.0081  
IEC 60079-0, IEC 60079-1, IEC 60079-31

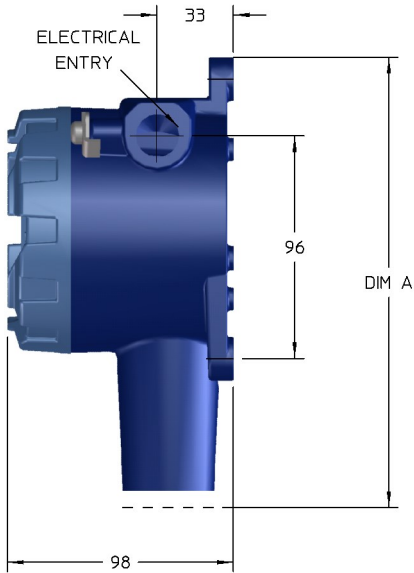


**Functional Safety Certified**

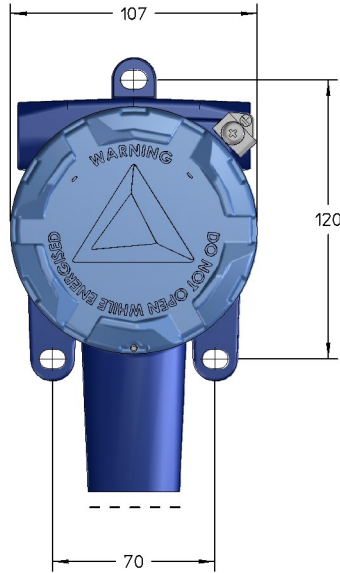
Meets the requirements of IEC 61508-2:2010 for use in SIL 2 safety related systems  
Certificate No. Sira FSP 12015/01

# Dimensions

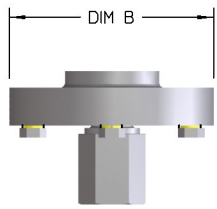
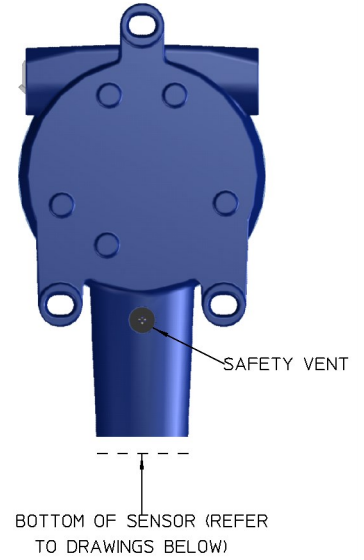
SIDE VIEW



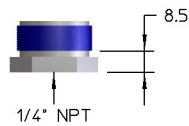
FRONT VIEW



BACK VIEW



P01 SENSOR



P02 & P03 SENSOR

Model	Range	DIM A	DIM B
P01	CC, CD, CE	215*	88
	A0, G3	215*	63
P02 & P03	ALL	195	-

\* ONLY FOR 1/4" NPT, OTHER CONNECTIONS WILL VARY

In the interest of development and improvement Delta Controls Ltd, reserves the right to amend, without notice, details contained in this publication. No legal liability will be accepted by Delta Controls Ltd for any errors, omissions or amendments.

**Delta Controls Limited**  
 Riverside Business Park, Dogflud Way, Farnham, Surrey GU9 7SS, UK.  
 T+44 (0)1252 729 140 F+44 (0)1252 729 168 E sales@delta-controls.com W www.delta-controls.com



FM00720

**Sentry Series - Flameproof**  
 Models: HP01, HP02 & HP03