

# Circular Chart Recorders

## Pressure & Temperature Recorders

Palmer Recorders are available in 8" or 12" models, and come complete with either electric, spring wound, or PC-11 (battery operated) chart drive, and up to three (3) felt tip pens. Case mountings are wall, flush, pedestal, pipestand or portable. The combinations of case mounts and internals allow selections which meet your specific requirements without limiting performance or demanding a custom price.

### Pressure Recorders

Pressure ranges up to 0 to 10,000 psig are offered in both 8" and 12" chart recorders.

Recorder accuracy is  $\pm 1/2$  chart graduation.

### Temperature Recorders

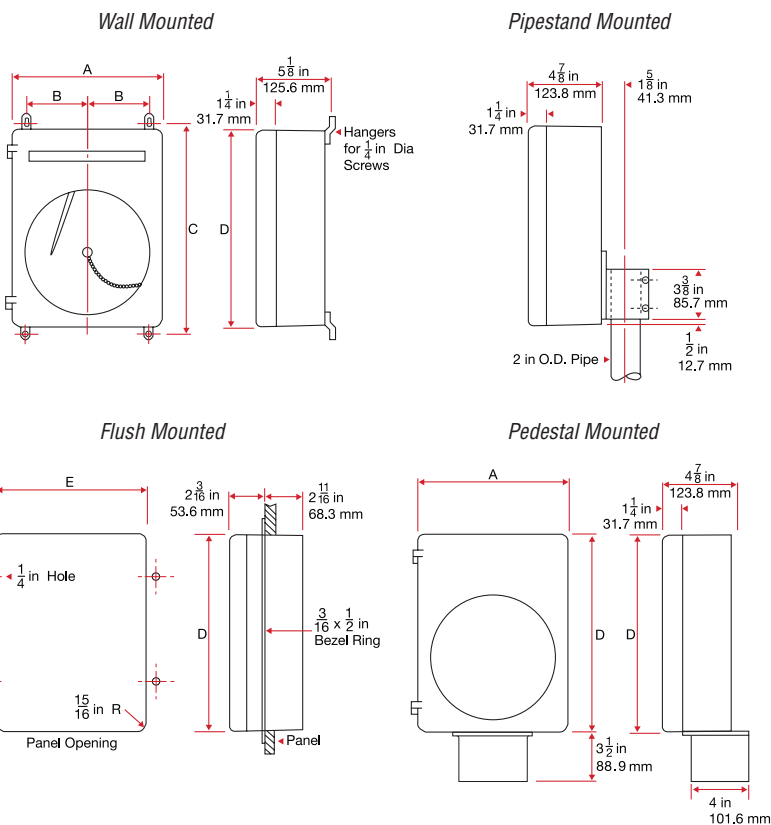
Temperature ranges from  $-40^{\circ}\text{F}$  to  $1000^{\circ}\text{F}$  in both 8" and 12" recorders.

Recorder accuracy is  $\pm 1$  chart graduation.

### Pressure & Temperature Recorders

Temperature and pressure can be combined inside the same recorder with up to three (3) pens.

Dimensions	8in		12in	
	in	mm	in	mm
A	10-9/16	268.3	13-1/16	331.8
B	4-1/4	107.9	4-1/2	114.3
C	14-1/2	361.9	16-3/8	415.9
D	13-5/8	346.0	15-13/16	401.6
E	10-5/16	261.9	12-13/16	325.4
F	13-7/16	341.3	15-9/16	395.3



## PC-11 Quartz Multi-Speed Chart Drive

### 11 Speeds offer complete flexibility for recording in the most demanding applications

Designed for outdoor use, Palmer's hermetically sealed PC-11 operates reliably even in wet and dirty environments. Freezer tested to  $-40^{\circ}\text{F}$ , it will withstand extreme temperatures. The highly adaptable design will fit any chart recorder, and makes exchange in the field a snap.

The eleven speed dial on the front of the case allows field selectable recording intervals from 60 minutes to 32 days. The dial also turns the unit off to conserve battery power. A pulsating LED indicator behind the dial shows that the battery is charged and that the unit is operating.

Our PC-11 is rated intrinsically safe, which makes it ideal for use by gas utility companies and in other situations where hazardous or combustible materials are present.



PC-11

- **11 Speeds:** switch selectable, choose from 60 min., 96 min., 12 hr., 1 day, 2 day, 7 day, 8 day, 14 day, 16 day, 31 day or 32 day recording intervals
- **Universal Mounting Bracket:** fits all chart recorders for easy replacement
- **.25" Drive Shaft:** With flat, accepts different drive hubs
- **High Torque:** 25 oz/in torque increases life and improves accuracy
- **No Axial or Angular Backlash:** charts don't shift
- **Broad Operating Temperature Range:**  $-40^{\circ}\text{F}$  to  $160^{\circ}\text{F}$
- **Battery Choice:** 3.5 lithium battery, can be exchanged for 1.5 volt "C" battery when PC-11 is used in very cold conditions
- **Molded Body Pilot:** Permits field exchange without recalibration
- **Maintenance-Free:** Closed construction case protects all moving parts
- **Separate Battery Compartment:** prevent drive damage from corrosion
- **UL Listed:** Class I, Groups C and D, Intrinsically Safe, CSA Certified



Continued Innovation Since 1836  
ISO 9001:2008 CERTIFIED

Temperature recorders contain mercury and may be restricted for sale in some states. Contact Customer Service for more information.



(800) 421-2853 • FAX (828) 658-0728 • www.palmerwahl.com

11/10 Rev B